

TECHNICAL DATA

T/LL50 and L55 tank level system

FOZMULA
INNOVATION IN SENSORS



A tank level control system is offered using the **T/LL50** level transducer and the **L55** controller and display.

The transducer uses the proven magnet and reed switch principle to output a continuous signal to the controller. The signal is interpreted by the analogue meter as a percentage of tank contents. Additional outputs permit remote monitoring of the level indicated.

The controller provides 4 user adjustable relays which can be used to give alarms or switch pump contactors.

SPECIFICATION

T/LL50 transducer

Fluid Types:

Fluids compatible with the construction materials

Lengths available:

Brass: 200mm to 1000mm

Stainless steel: 200mm to 2000mm

Construction:

Header & stem: Brass or 316 stainless steel

Float: Buna-N or polypropylene

Terminal box: ABS

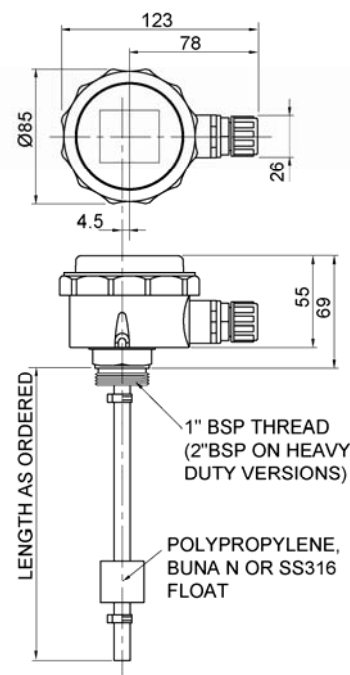
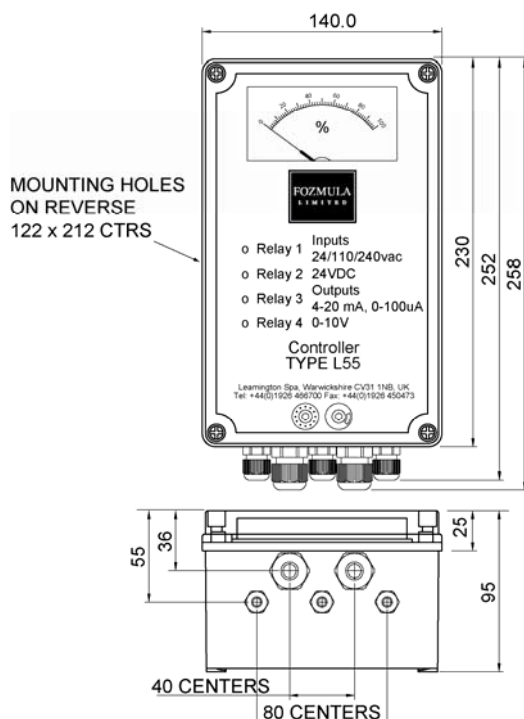
L55 controller

Supply voltage: 24/110/230VAC or 24VDC

Outputs: 0-20mA or 4-20mA, factory set 0-100 μ A (for remote meter), 0-10V, 4 x Volt free changeover contacts rated 5A @240VAC/30VDC, each adjustable from 0/100%. Integral relay status indicators.

Temp. range: -25 $^{\circ}$ C to +50 $^{\circ}$ C

Enclosure: Impact resistant polycarbonate. IP67 rated with IP68 cable glands.



Berrington Road | Leamington Spa | Warwickshire CV31 1NB | UK

Tel: +44 (0)1926 466700 | Fax: +44 (0)1926 450473 | www.fozmula.com

www.fozmula.com

E. & O. E.© Fozmula Limited. January 2005 Issue No. 1

Since the suitability of these products depends upon a wide range of factors not in our control, Fozmula Limited expects and understands that you will conduct the testing and evaluation necessary to determine that these products are suitable for your application. Whilst every effort is made to ensure the above details are correct at the time of printing, Fozmula Limited reserves the right to make material changes, and or technical changes without notification.