

TECHNICAL DATA

Fozmula gauges and senders

FOZMULA
INNOVATION IN SENSORS



The **FOZMULA** range of engine monitoring instrumentation comprises reliable and cost effective gauges for use with 10 - 180Ω resistance match senders.

Incorporating integral back lighting, Fozmula gauges monitor oil temperature and pressure, water temperature, battery volts and fuel level. Additionally, we offer tachos, hours run meters and speedos to complete the range.

SPECIFICATION

Construction:

Casing: Steel zinc plated and passivated
Window: Glass
Bezel: Matt black

Dimensions:

See below

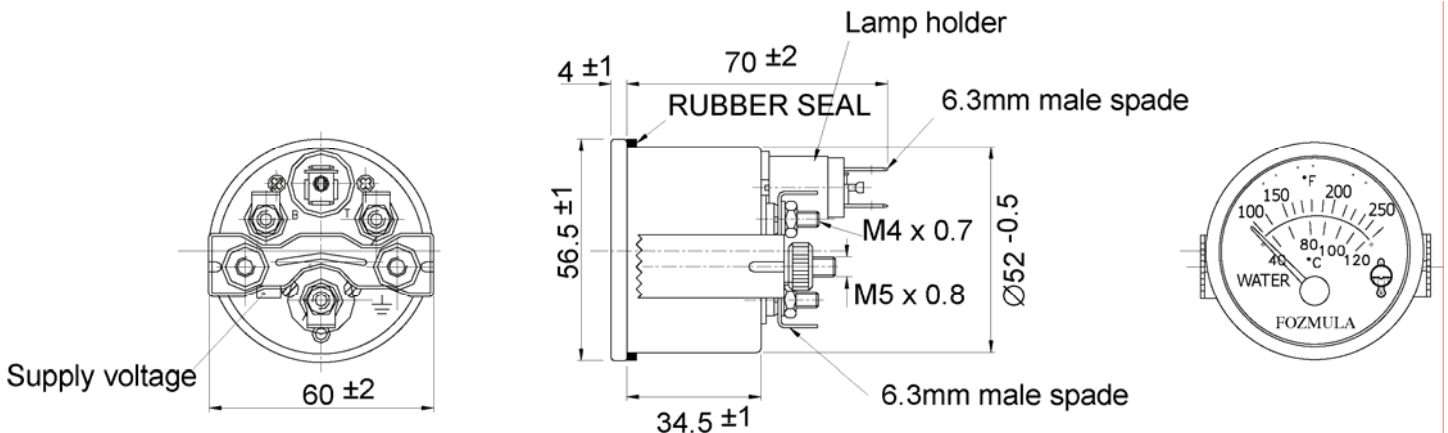
Electrical:

Supply voltage: 12VDC (8/16VDC) or 24VDC (16-32VDC)
Resistance match: Linear 10 - 180W
Connections: M4 x 0.7 studs and 6.3mm spades

Accuracy:

Tolerance: Oil pressure, oil and water temp ±5% of the full scale value @ 25°C ±5°C

Part Number	Voltage	Description	Part Number	Voltage	Description
V120921	12V	Oil pressure, 0 – 10 Bar	V210947	12/24V	50 – 0 – 50A
V120922	24V	Oil pressure, 0 – 10 Bar	V210948	12/24V	60 – 0 – 60A
V120923	12V	Oil pressure, 0 – 5 Bar	V220936	12V	Voltmeter
V120924	24V	Oil pressure, 0 – 5 Bar	V220937	24V	Voltmeter
V270961	12V	Water temp, 40 – 120°C	V260931	12V	Fuel level
V270962	24V	Water temp, 40 – 120°C	V260932	24V	Fuel level
V270963	12V	Oil temp, 50 – 150°C			
V270964	24V	Oil temp, 50 – 150°C			



Berrington Road | Leamington Spa | Warwickshire CV31 1NB | UK

Tel: +44 (0)1926 466700 | Fax: +44 (0)1926 450473 | www.fozmula.com

www.fozmula.com

E. & O. E.© Fozmula Limited. August 2007 Issue No. 2

Since the suitability of these products depends upon a wide range of factors not in our control, Fozmula Limited expects and understands that you will conduct the testing and evaluation necessary to determine that these products are suitable for your application. Whilst every effort is made to ensure the above details are correct at the time of printing, Fozmula Limited reserves the right to make material changes, and or technical changes without notification.