

TECHNICAL DATA

FOZMULA
INNOVATION IN SENSORS

G/LL43 liquid level contents gauge



The **Model G/LL43** series vertical spiral gauge is a mechanically operated liquid level gauge.

The gauge is mounted vertically from the top of the tank so as the liquid level changes, the float follows that change and uses a magnetic coupling to transfer that motion from the float to the level indicator dial.

The gauge is completely sealed so there is no risk of the tank contents leaking through the gauge header.

The gauge can also be fitted with an electrical interfacing dial indicator, as well as indicators with set switching points.

SPECIFICATION

Fluid Types:

Fluids compatible with the construction materials

Dimensions:

See below

Environmental Ratings:

Temperature - operating: -15°C to 66°C

- storage: -40°C to 85°C

Vibration test: 0.35mm at 0-10,000rpm on each the 3 major axes

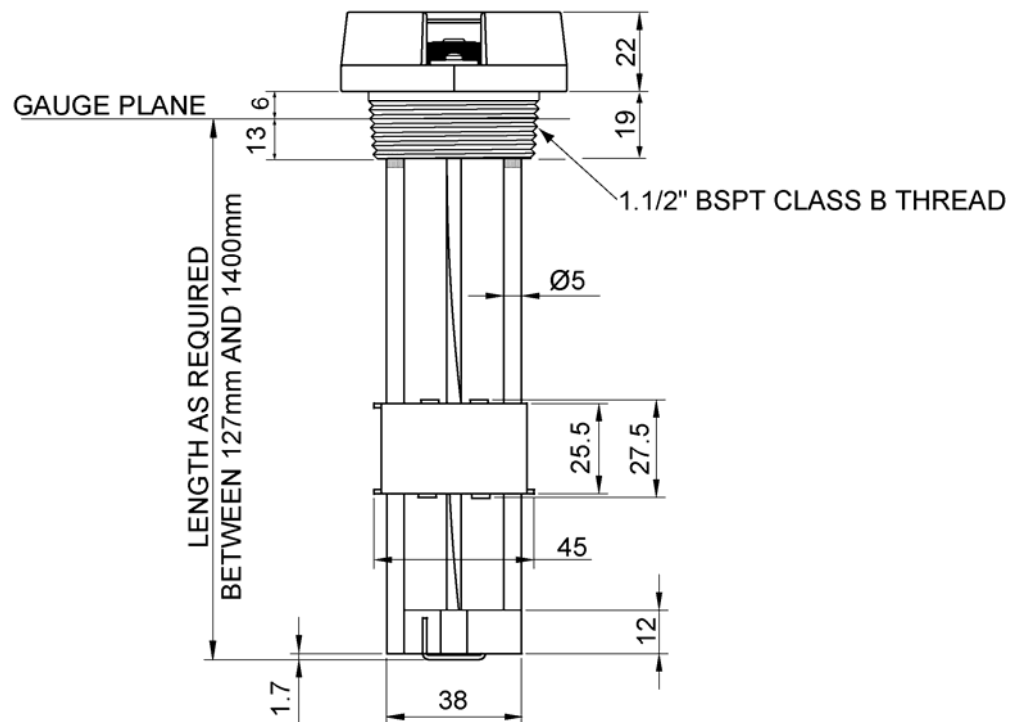
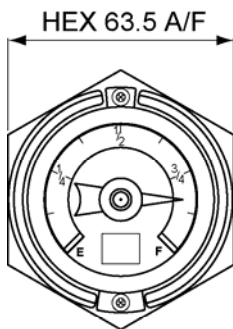
Construction:

Header:	Zinc alloy
Guide rails and foot bar:	316 stainless steel
Spiral drive:	Brass (optionally stainless steel)
Float:	Polypropylene
Dial capsule:	Polycarbonate

Pressure - differential: 290 psi (20 bar)

- burst: >4000 psi (>275 bar)

Shock test: 50g in both directions on each of of the 3 major axes



Berrington Road | Leamington Spa | Warwickshire CV31 1NB | UK

Tel: +44 (0)1926 466700 | Fax: +44 (0)1926 450473 | www.fozmula.com

www.fozmula.com

E. & O. E. © Fozmula Limited. November 2009 Issue No. 3

Since the suitability of these products depends upon a wide range of factors not in our control, Fozmula Limited expects and understands that you will conduct the testing and evaluation necessary to determine that these products are suitable for your application. Whilst every effort is made to ensure the above details are correct at the time of printing, Fozmula Limited reserves the right to make material changes, and or technical changes without notification.