

TECHNICAL DATA

G/LL7 hydrostatic contents gauge

FOZMULA
INNOVATION IN SENSORS



The **Model G/LL7** hydrostatic gauging system is designed for large tanks or tanks where easy access is difficult.

The **G/LL7** comprises a transmitter resting on the bottom of the tank, which is connected by capillary tube to a remotely mounted 6" gauge. A sealed pneumatic system allows for continuous reading.

The gauge is calibrated and scaled to the tank (rectangular or round) and a single transmitter can operate up to three gauges.

A retaining cord is supplied should the transmitter need to be removed from the tank. The capillary tube passes through the tank wall via a supplied bulkhead adaptor.

SPECIFICATION

Transmitter:

Construction:

Body:	316 stainless steel
Diaphragm:	Viton
Fasteners:	A4 stainless steel
Retaining cord:	Polypropylene
Capillary tube:	Polyurethane

Fluid Types:

Fluids compatible with the above construction materials

Environmental:

Max. pressure:	1.0 Bar
Operating temp:	-20°C to +80°C

Gauge:

Construction:

Casing:	Stainless steel
Window:	Glass
Connector:	Brass
Size:	6" diameter

Calibration:

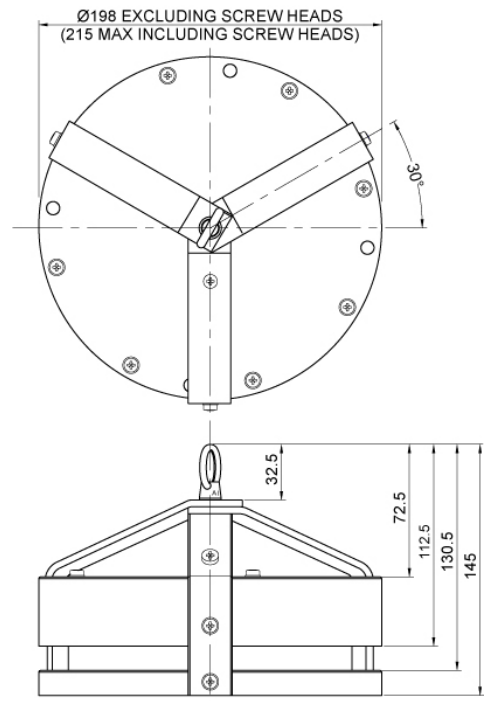
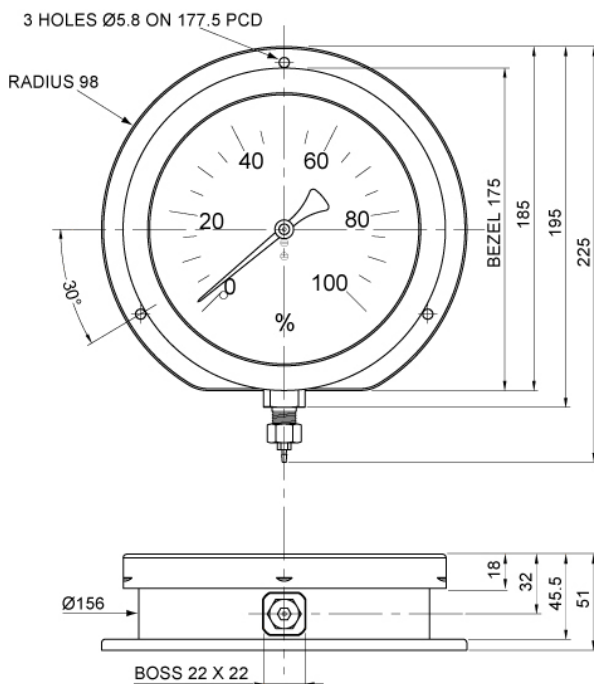
To individual tank installations

Environmental:

Sealing:	IP54
-----------------	------

Options:

Size:	4" or 10" diameter
--------------	--------------------



Berrington Road | Leamington Spa | Warwickshire CV31 1NB | UK

Tel: +44 (0)1926 466700 | Fax: +44 (0)1926 450473 | www.fozmula.com

www.fozmula.com

E. & O. E.© Fozmula Limited. February 2003 Issue No. 5

Since the suitability of these products depends upon a wide range of factors not in our control, Fozmula Limited expects and understands that you will conduct the testing and evaluation necessary to determine that these products are suitable for your application. Whilst every effort is made to ensure the above details are correct at the time of printing, Fozmula Limited reserves the right to make material changes, and or technical changes without notification.