

TECHNICAL DATA

HD/LL70 vertical float switch

FOZMULA
INNOVATION IN SENSORS



The **HD/LL70** series is a heavy duty vertical float level switch designed for use in environments where high switching currents and overall robustness are required. The unit is very flexible in design enabling the customer to specify the build standard, voltages and installation fittings.

It is a multi position switch that can be specified to any dimension and any number of switching points (depending upon the depth of the vessel).

SPECIFICATION

Fluid Types:

Fluids compatible with the construction materials

Dimensions:

See below and up to a maximum of 3 metres (118")

Environmental Ratings:

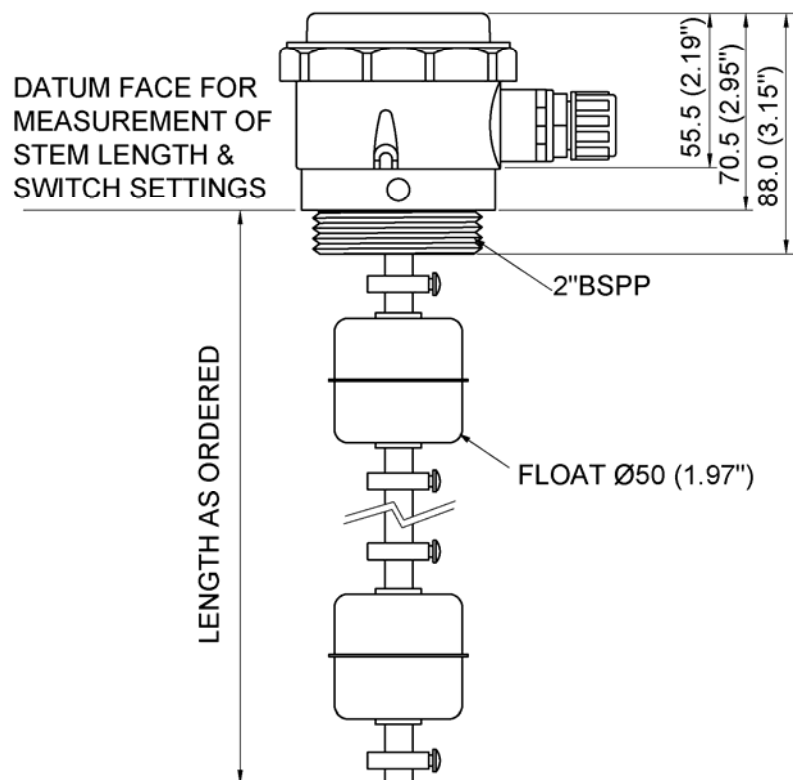
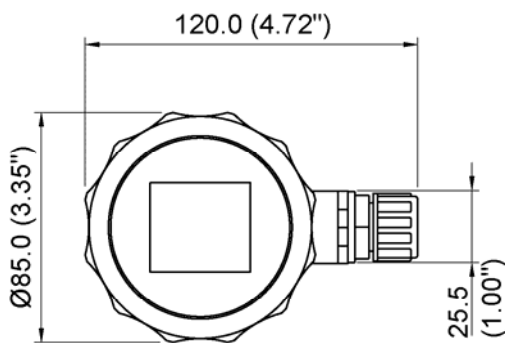
Sealing (terminal box): IP67
Operating temperature: -20°C to +70°C (-4°F to +160°F)
other temperatures on request.

Construction:

Header: 316 stainless steel
Stem: 316 stainless steel
Float and float stops: 316 stainless steel
Terminal box: ABS

Electrical:

Max voltage: 240VAC
Max current: 3 Amps
Max power: 100VA



Berrington Road | Leamington Spa | Warwickshire CV31 1NB | UK

Tel: +44 (0)1926 466700 | Fax: +44 (0)1926 450473 | www.fozmula.com

www.fozmula.com

E. & O. E.© Fozmula Limited. January 2010 Issue No. 2

Since the suitability of these products depends upon a wide range of factors not in our control, Fozmula Limited expects and understands that you will conduct the testing and evaluation necessary to determine that these products are suitable for your application. Whilst every effort is made to ensure the above details are correct at the time of printing, Fozmula Limited reserves the right to make material changes, and or technical changes without notification.