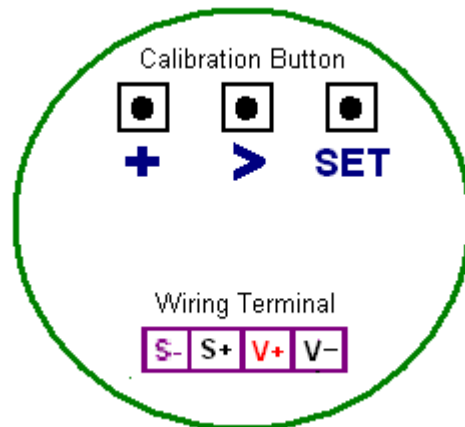


Model L13X digital indicator

set-up and calibration instructions



Installation note:

Please ensure that a robust sealing is made with the enclosure cable gland(s) in order to achieve the unit's IP67 compliance.

This product is factory set to **0-5VDC/4-20mA** input and the default display value to 000.0 -100.0

Electrical connection and sender input:

Open the lid and connect the power and sender signal wires to the PCB in accordance with the diagram above. (Please see diagrams over for further information)

Indicator calibration set up:

General note: If there is 5 seconds duration of inactivity during the calibration procedure then the display will time out and revert to its previous state.

Step 1: To enter calibration mode:

Switch on the power and depress the **SET** button for 3 seconds. The unit will display **H-00** with the right hand LED 0 digit flashing.

Caution: Do not press **SET** a second time at this stage because doing this will invalidate the indicator's warranty.

Step 2: To set the display minimum value:

Adjust the flashing LED value using the **+** button until it shows **H-01**

Press **SET** to enter.

The display will show "PUL" first and then zero value.

Use the **>** button to change the digit to be programmed.

Use the **+** button to set the digit values (0 to 9).

Press **SET** to select the value required.

Wait for 5 seconds the unit will save the setting and return to previous state

Step 3: To set the display maximum value:

Adjust flashing LED value using the **+** button until it shows **H-02**

Press **SET** to enter.

The display will show "PUH" first and then the maximum value.

Use the **>** button to change the digit to be programmed.

Use the **+** button to set the digit values (0 to 9).

Press **SET** to select the value required.

Wait for 5 seconds the unit will save the setting and return to previous state

Step 4: To set the decimal point position:

Adjust the flashing LED value using the **+** button until it shows **H-03**

Press **SET** to enter.

Step 4 continued.

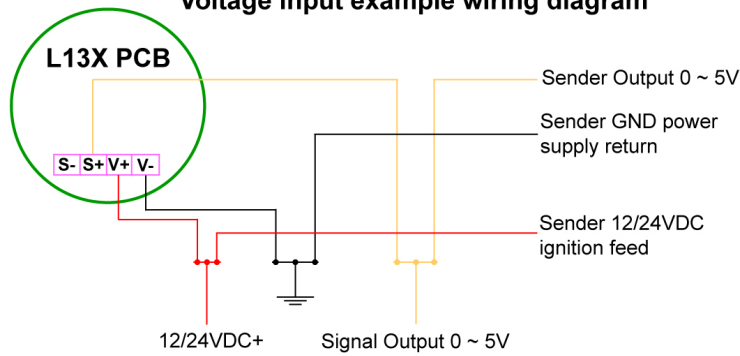
The display will show "dot" first and then the DOT value.
Use the **+** button to set the decimal position as shown below:

Value	
0	No decimal places
1	1 decimal place, i.e. 000.0
2	2 decimal places, i.e. 00.00
3	3 decimal places, i.e. 0.000

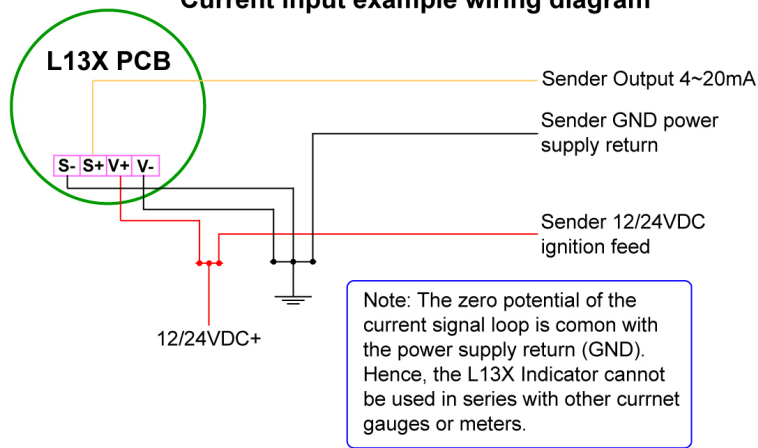
Press **SET** to select the value required.

Wait for 5 seconds the unit will save the setting and return to display mode

Voltage input example wiring diagram



Current input example wiring diagram



Mounting the L13X series indicator

1. Select a location preferably out of direct sunlight.
2. Fit the indicator using two No6 x 3/8" long self-tapping pan head screws

