

The **Model S85** is an active device which is designed to give an alarm signal if fluid falls below a preset level. It will only signal an alarm after a few seconds of low level to eliminate false alarms due to turbulence. The fact that the **Model S85** has no moving parts and incorporates a built in delay means it is ideal in applications where mechanically operated switches mis-trigger due to vibration and fluid turbulence.

Specification

Electrical Rating

Supply Voltage: 5 VDC or 7 - 35 VDC
 Supply Current: 1.5mA + source output
 Max. Load Current: 1.0A (sink) or 20mA (source)
 Alarm Delay Time: 0 - 25 secs rising or falling (factory set)
 Connection: 4 way Delphi Packard connector
 Start up Delay: 1 - 5 secs

Fluid Types

Water based fluids compatible with Brass, PTFE and NBR rubber

Environmental Ratings

Sealing: IP67
 Max. pressure: 5.0 Bar (72 psi)
 Temp. ranges: Fluid: -40°C to +130°C
 Storage: -50°C to +140°C
 Weight: 53g

Note: Torque setting on installation should not exceed 22Nm. Unit should be tightened with a 31mm ring spanner or 31mm socket.



Construction

Body: Brass
 Probe: PTFE
 Terminals: SAE CA210Brass, Tin Plated
 Seals: NBR rubber
 Connector: 30% Glass Filled Nylon 6
 Thread: Polyacrylate Aqueous Emulsion Base (Dri-Seal 5061) - 1/4" NPT only

Connections

See diagram below

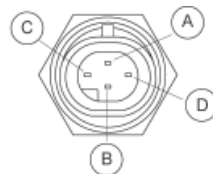
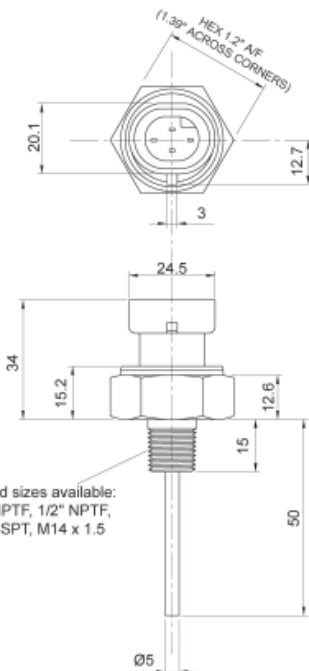
Note: Outputs are factory selectable and dual outputs on output 1 are available on request.

Vibration (15.3 grms)

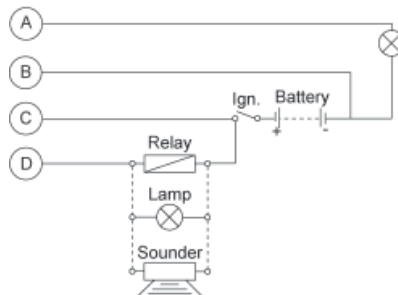
3 orthogonal planes for 3 hours per plane

Frequency (Hz)	G2/Hz
24	0.04
60	0.5
100	0.5
240	0.1
2000	0.1

Testing performed in accordance with BSEN 60068-2-64 : 1993



- A: Output 2 Source 5V or V+
- B: GND Negative power supply or GND
- C: V+ Positive power supply
- D: Output 1 Transistor switched to GND (Sink)
- Body Not connected



Optional accessories:

Mating connector kit to suit harness wire cross sectional area of 0.8 to 1.0mm² and sleeve Ø1.60 to 2.15mm:

Our Part no	Description
C/K1	Connector kit comprising of: Crimp Terminals (x4) Cable seals (x4) Cavity plug (x1) Connector assembly 4 way (x1) TPA lock (x1)

From the Packard Metri-Pack 150 series of connectors.

Fozmula Limited, Berrington Road, Leamington Spa, Warwickshire, CV31 1NB, UK
 Tel: +44(0)1926 466700 Fax: +44(0)1926 450473 E-mail: sales@fozmula.com Website: www.fozmula.com