

The **Model S86** is an active device which is designed to give an alarm signal if fluid falls below a preset level. It will only signal an alarm after a few seconds of low level to eliminate false alarms due to turbulence. The fact that the **Model S86** has no moving parts and incorporates a built in delay means it is ideal in applications where mechanically operated switches mis-trigger due to vibration and fluid turbulence.

### Specification

#### Electrical Rating

Supply Voltage: 5 VDC or 7 - 35 VDC  
 Supply Current: 1.5mA + source output  
 Max. Load Current: 1.0A (sink) or 20mA (source)  
 Alarm Delay Time: 0 - 25 secs rising or falling (factory set)  
 Connection: 4 way Delphi Packard connector  
 Start up Delay: 1 - 5 secs

#### Fluid Types

Mineral oils, typically used in engines or hydraulic actuators.  
 compatible with Brass, PTFE and NBR rubber

#### Environmental Ratings

Sealing: IP67  
 Max. pressure: 5.0 Bar (72 psi)  
 Temp. ranges: Fluid: -40°C to +130°C  
 Storage: -50°C to +140°C  
 Weight: 53g

Note: Torque setting on installation should not exceed 22Nm. Unit should be tightened with a 31mm ring spanner or 31mm socket.



#### Construction

Body: Brass  
 Probe: PTFE  
 Terminals: SAE CA210Brass, Tin Plated  
 Seals: NBR rubber  
 Connector: 30% Glass Filled Nylon 6

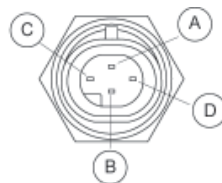
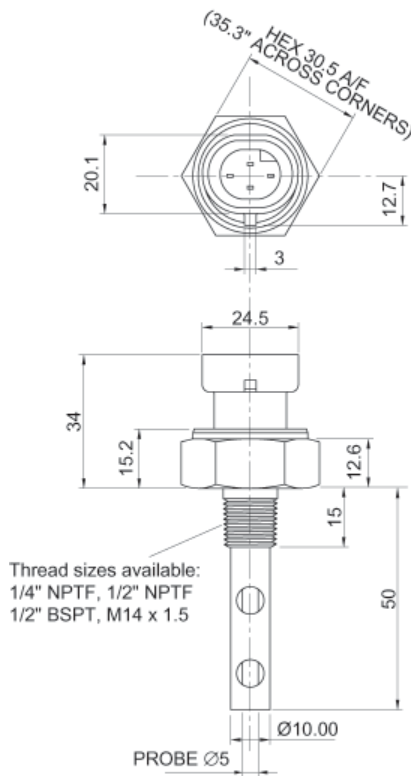
#### Connections

See diagram below  
 Note: Outputs are factory selectable and dual outputs on output 1 are available on request..

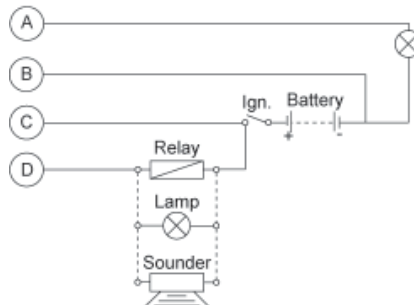
Vibration (15.3 grms)  
 3 orthogonol planes for 3 hours per plane

Frequency (Hz)	G2/Hz
24	0.04
60	0.5
100	0.5
240	0.1
2000	0.1

Testing performed in accordance with BSEN 60068-2-64 : 1993



- A: Output 2 Source 5V or V+
- B: GND Negative power supply or GND
- C: V+ Positive power supply
- D: Output 1 Transistor switched to GND (Sink)
- Body Connected to ground



Optional accessories:  
 Mating connector kit to suit harness wire cross sectional area of 0.8 to 1.0mm<sup>2</sup> and sleeve Ø1.60 to 2.15mm:

Our Part no	Description
C/K1	Connector kit comprising of: Crimp Terminals (x4) Cable seals (x4) Cavity plug (x1) Connector assembly 4 way (x1) TPA lock (x1)

From the Packard Metri-Pak 150 series of connectors.

Fozmula Limited, Berrington Road, Leamington Spa, Warwickshire, CV31 1NB, UK  
 Tel: +44(0)1926 466700 Fax: +44(0)1926 450473 E-mail: sales@fozmula.com Website: www.fozmula.com