

The **Side Entry** series of single point float switches are manufactured in a range of materials to suit varied applications. Most switches are mounted from the outside of the tank and can be rotated through 180° to give a choice of either open on rise or close on rise switching configuration. Optional changeover switching can be specified.

Some customisation can be offered, for example, should internal tank fittings impede the operation of the switch, or if a different connection method is required.

**Specifications:**

**General:**

Operating temp: -20°C to +80°C

**T/LL12:**

Body: Aluminium  
 Float: Buna-N  
 Thread: 1/2" BSP  
 Electrical specification:  
 Voltage: 240V  
 Current: 0.5A  
 Power: 10W  
 Connection: Flying leads or DIN connector

**T/LL17:**

Body: Stainless steel  
 Float: Buna-N  
 Thread: 1/2" BSP  
 Electrical specification:  
 Voltage: 240V  
 Current: 0.5A  
 Power: 10W  
 Connection: Flying leads or DIN connector

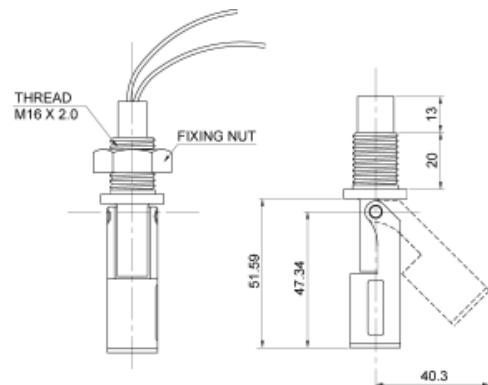
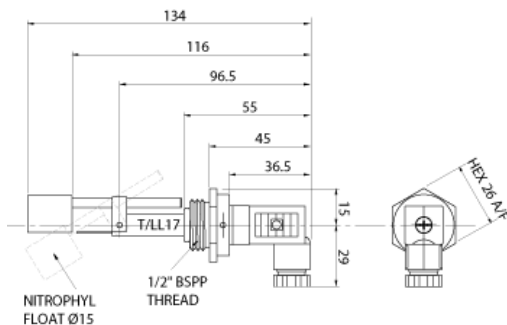
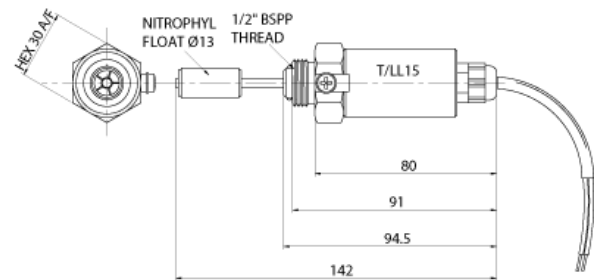
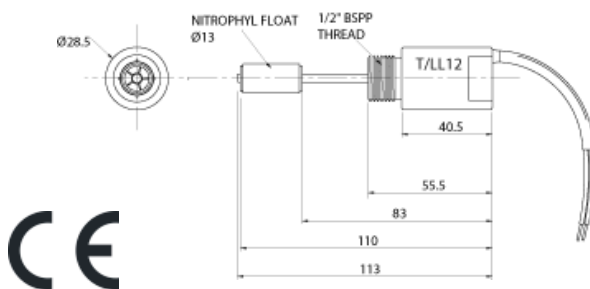


**T/LL15:**

Body: 316 stainless steel  
 Float: Buna-N  
 Thread: 1/2" BSP  
 Electrical specification:  
 Voltage: 240V  
 Current: 0.5A  
 Power: 10W  
 Connection: Flying leads

**T/LL19:**

Body: Polypropylene  
 Float: Polypropylene  
 Thread: M16 X 2.0  
 Electrical specification:  
 Voltage: 240V  
 Current: 0.5A  
 Power: 10W  
 Connection: Flying leads



Fozmula Limited, Berrington Road, Leamington Spa, Warwickshire, CV31 1NB, UK

Tel: +44(0)1926 466700

Fax: +44(0)1926 450473

sales@fozmula.com

www.fozmula.com

E. & O. E. © Fozmula Limited. February 2010 Issue No. 3

Since the suitability of these products depends upon a wide range of factors not in our control, Fozmula Limited expects and understands that you will conduct the testing and evaluation necessary to determine that these products are suitable for your application. Whilst every effort is made to ensure the above details are correct at the time of printing, Fozmula Limited reserves the right to make material changes, and or technical changes without notification.

