

The **T/LL122 series** of user adjustable vertical float switches compliments the other ranges of float switches in the Fozmula range. This float switch can be tailored by the user to suit a particular application, by adjusting the length of the float switch tube. It is also possible to select the switching sense by inverting the float, giving either open on rise or close on rise operation. Mounting is via the 1" BSP header or, optionally, via a choice of two flanges. The unit is supplied part assembled, with detailed instructions for the user to complete assembly to the specifications of the application and to install the unit.



Specification

Fluid Types:

Fluids compatible with the construction materials

Dimensions:

See below

Electrical specification:

Supply voltage: 240VAC/300VDC max
Switching current: 0.5A

Environmental ratings:

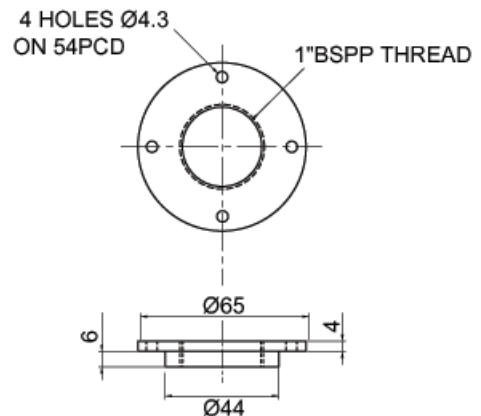
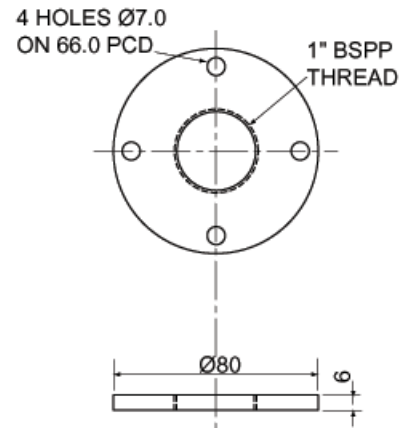
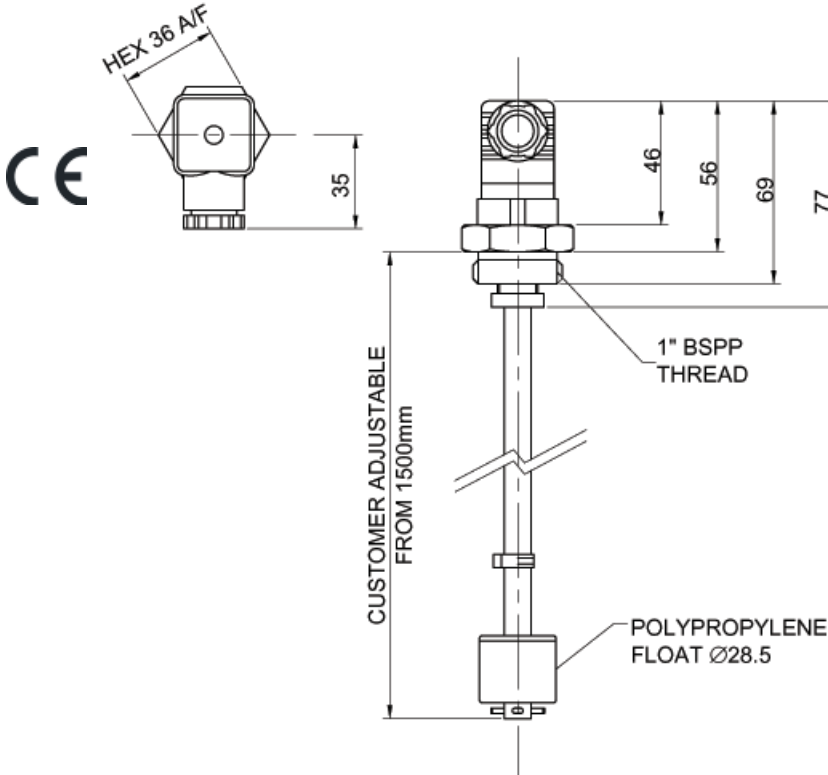
Temperature: - operating -20°C to +70°C

Construction:

Header & stem: Brass
Float: Polypropylene
Gasket: Klingersil Grade C4324

Thermostat ratings:

Normal voltage: 250V
Currents rating: 4A (10A max)



Fozmula Limited, Berrington Road, Leamington Spa, Warwickshire, CV31 1NB, UK
Tel: +44(0)1926 466700 Fax: +44(0)1926 450473 sales@fozmula.com

www.fozmula.com