

TECHNICAL DATA

T/LL70 series vertical float switches

FOZMULA
INNOVATION IN SENSORS



The **T/LL70** series is a comprehensive range of vertical float level switches designed around the proven and reliable magnet and reed switch principle.

Comprising many build variants, the **T/LL70** is customised to each application by means of materials, connection, header style, reed rating etc. Some examples are shown below:

SPECIFICATION

Electrical Rating

Reeds:	quantity	up to 12 switched levels
	switching	N/O, N/C, changeover or latched
	current	up to 3.0A
	power	up to 100vA
	voltage	up to 300VAC

Fluid Types

Fluids compatible with the construction materials

Environmental Ratings

Temp. (operating): -20°C to +70°C (-4°F to +158°F)

The T/LL70 has been vibration tested in accordance with BSEN 60068-2-64:1993

Construction

Header:	Brass, PVC or 316 stainless steel
Stem:	Brass, PVC or 316 stainless steel
Floats:	Buna N, polypropylene or 316 stainless steel

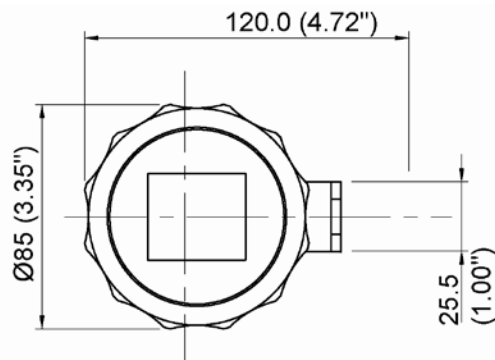
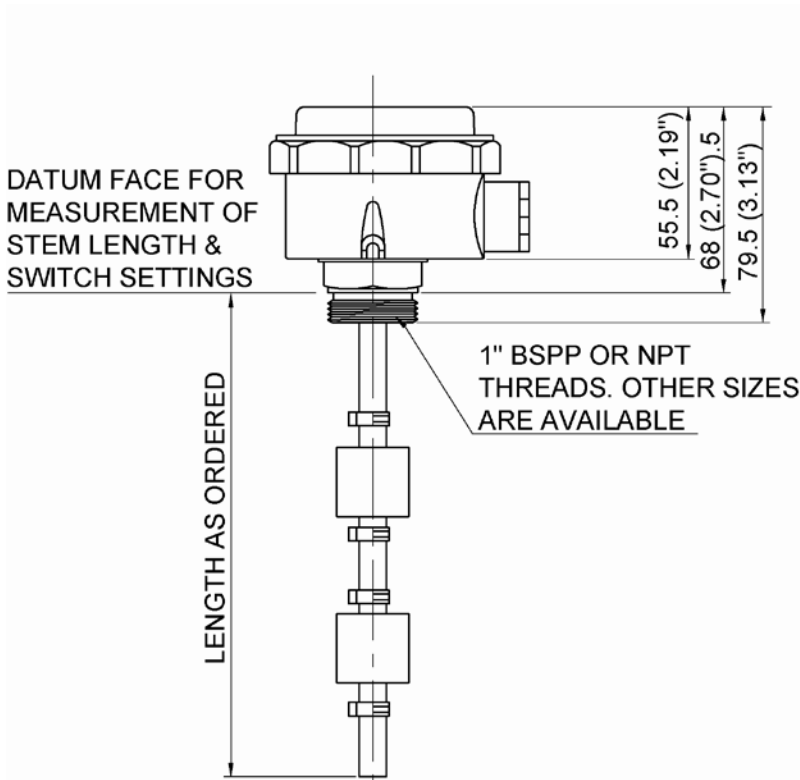


Connections

IP67 terminal box, DIN connector, flying leads

Fitting

Standard:	1/2"BSPP, 1"BSPP/NPT, 1" BSPT and 1.1/2"BSPP
Optional:	Other fittings are available on request



Stem material	Max length
Brass	2.25M (88")
PVC	1.5M (59")
316 stainless steel	3.0M (118")

Berrington Road | Leamington Spa | Warwickshire CV31 1NB | UK

Tel: +44 (0)1926 466700 | Fax: +44 (0)1926 450473 | www.fozmula.com

www.fozmula.com

E. & O. E. © Fozmula Limited. February 2010 Issue No. 4

Since the suitability of these products depends upon a wide range of factors not in our control, Fozmula Limited expects and understands that you will conduct the testing and evaluation necessary to determine that these products are suitable for your application. Whilst every effort is made to ensure the above details are correct at the time of printing, Fozmula Limited reserves the right to make material changes, and or technical changes without notification.