

TECHNICAL DATA

S282 Oil Level Switch – Capacitance Type

FOZMULA
INNOVATION IN SENSORS



The **S282** is an active device designed to give an alarm signal if oil falls below, or rises above, a preset level. It can be specified with a delay to eliminate false alarms due to turbulence.

Containing a factory programmable microprocessor, the switch offers sink to ground or source voltage output. Its small footprint with limited intrusion into the tank means a reduced risk of damage and a wide range of customer specifiable options make it suitable for most applications.

For high accuracy the S282 is ideally mounted horizontally at the point where an alarm or control signal is required. However, the switch can be mounted vertically – contact Fozmula with your application requirements.

SPECIFICATION

Liquid types: Mineral oils, typically used in engines or hydraulic actuators, compatible with brass, PTFE and FVMQ.

Electrical rating

Supply voltage: 9-36 VDC.
Supply current: 7 mA + source output.
Max. load current: 1.0 A (sink) or 20 mA (source).
Alarm delay time: 0 to 25 s rising or falling (factory set).
Connection: 4 way DIN 72 585 connector
Power up delay: 0 to 10 s (factory set).
Power up state: 'In Liquid' or 'Out of Liquid' (factory set).
Output type: Sink (open collector) and/or Source (supply voltage).
Output pin: Pin 3 (sink) or Pin 4 (source).
Output state: Sink Open / Closed in liquid (factory set).
 Source On / Off in liquid (factory set).

Construction

Body: Brass.
Probe: PTFE.
Terminals: Brass, Tin Plated.
Seals: FVMQ.
Connector: PA66 30% Glass Filled Nylon.

Connections:

See diagram below.

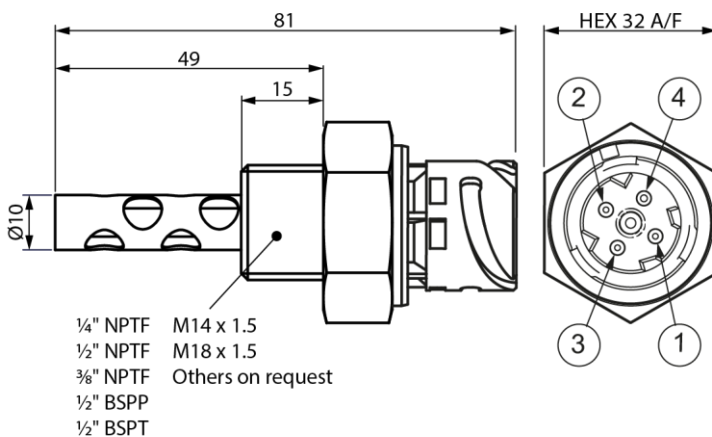
Environmental Ratings

Ingress: IP67 (with mating connector fitted).
Max. pressure: 5.0 Bar (72 psi)
Temp. range: -40 °C to +125 °C
Weight: 70 g typical (dependent on thread size)
EMC: ISO13766-1:2018

Vibration (15.3 Grms)

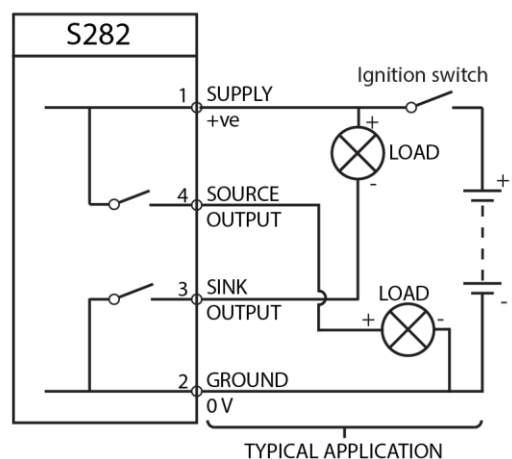
3 orthogonal planes for 3 hours per plane
 Testing performed in accordance with BSEN 60068-2-64:1993

Drop test: 1 m to concrete surface.



Recommended Installation Tightening Torques:

1/4" NPTF	9 Nm	M14x1.5	10 Nm
3/8" NPTF	11 Nm	M18x1.5	15 Nm
1/2" NPTF	20 Nm		
1/2" BSPP	15 Nm		
1/2" BSPT	20 Nm		



NOTE: IF SINK ONLY OUTPUT IS REQUIRED THEN PIN 4 IS NOT USED.

Optional accessories

C/K2: Mating connector kit to suit harness wire cross sectional area of 1 to 2.5 mm², insulation diameter 1.2 to 3 mm: Ø1.60 to 2.15 mm. Comprising of: Crimp Terminals (x4), Cable seals (x4) and Connector assembly 4 way (x1).

Hermes Close | Tachbrook Park | Warwick | CV34 6UF | United Kingdom
 Tel: +44 (0)1926 466700 | Fax: +44 (0)1926 450473 | sales@fozmula.com

www.fozmula.com