

## TECHNICAL DATA

### T/E-C Miniature Float Switches

**FOZMULA**  
INNOVATION IN SENSORS



The **T/E-C** series miniature float switches complement our existing range of multi-level float switches.

Designed around the proven and reliable magnet and reed switch principle, they can be mounted in the top, bottom or side (via the right angled option) of a tank, and are available in various materials as detailed in the table below:

## SPECIFICATION

### Liquid Types

Liquids compatible with the construction materials; typically diesel, kerosene, petrol, water.

### Dimensions

See diagrams.

Flying leads are 1 m (39") in length.

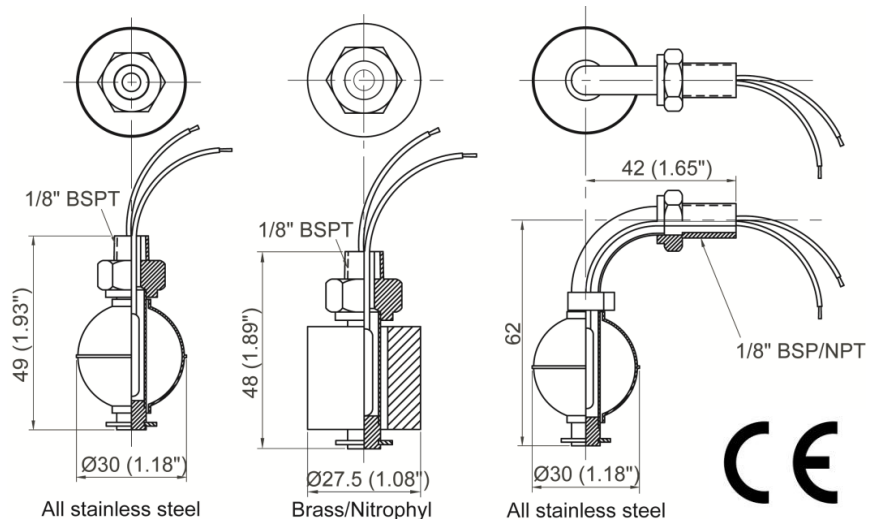
### Electrical

**Switching current:**

0.5 A or 1 A

**Switching voltage:**

200 VDC / 250 VAC or  
400 VDC / 400 VAC



### Environmental Ratings

**Operating Temperature:** -40 °C to +110 °C (-40 °F to +230 °F)

### Pressure

Non stainless steel: 7 bar (100 psi)  
Stainless steel: 20 bar (300 psi)

Part No.	Stem	Float	Float O. D.	Thread	Mounting
T/E-C/11	Brass	Nitrophenyl	27.5 mm (1.08")	1/8" BSPT	Top
T/E-C/13	Stainless Steel 316	Stainless Steel 316	30 mm (1.18")	1/8" BSPT	Top
T/E-C/15	Stainless Steel 316	Polypropylene	28.5 mm (1.12")	1/8" BSPT	Top
T/E-C/17	Stainless Steel 316	Stainless Steel 316	30 mm (1.18")	1/8" BSP	Side
T/E-C/18	Stainless Steel 316	Stainless Steel 316	30 mm (1.18")	1/8" NPT	Side
T/E-C/20	Stainless Steel 316	Stainless Steel 316	28 mm (1.10")	M10 x 1.5	Side

Hermes Close | Tachbrook Park | Warwick | CV34 6UF | United Kingdom  
Tel: +44 (0)1926 466700 | Fax: +44 (0)1926 450473 | sales@fozmula.com

[www.fozmula.com](http://www.fozmula.com)

E. & O. E. © Fozmula Limited.

Since the suitability of these products depends upon a wide range of factors not in our control, Fozmula Limited expects and understands that you will conduct the testing and evaluation necessary to determine that these products are suitable for your application. Whilst every effort is made to ensure the above details are correct at the time of printing, Fozmula Limited reserves the right to make material changes, and or technical changes without notification.

8.6/25 Rev 1