

TECHNICAL DATA

T/T10X Temperature Sensor

FOZMULA
INNOVATION IN SENSORS



The **T/T10X Series** of temperature sensors are designed to meet customer specific applications. They are available in a selection of body styles and connector configurations with various thermistors.

This range of products has been designed and engineered to be rugged and durable, and capable of extensive service in demanding environments. Suitable for use on many types of industrial engines, the **T/T10X Series** can withstand significant levels of vibration, shock, temperature and humidity.

SPECIFICATION

Threads

Typical Threads: 1/2" NPTF, 3/8" NPTF, 1/2" BSPT, 3/8" BSPT,
5/8" UNF, M14 or M18

Other thread sizes and body designs are available.

Electrical (Typical Thermistor)

Max Power: 200 mW

R25 Resistance: 1 k Ω

Resistance Tolerance: $\pm 5\%$

Other thermistors available on request.

Materials

Body: Brass CZ121/131

Connector: 30% Glass Filled PBT

Terminals: Brass CZ108 with silver or nickel plating.

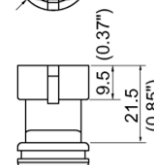
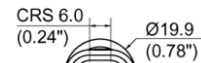
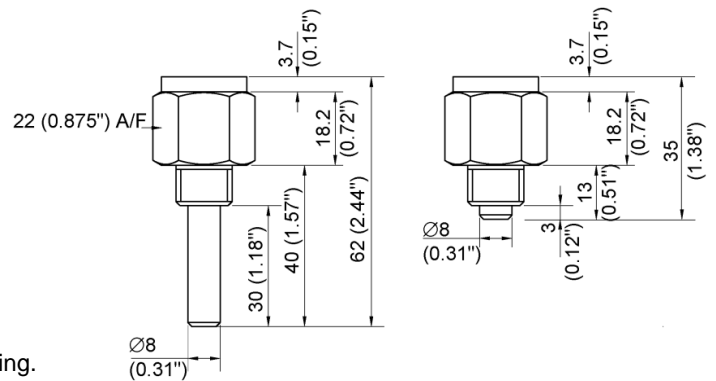
Environmental Ratings

Service Temp: -20 °C to +140 °C

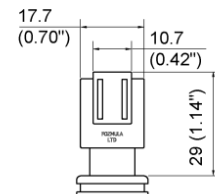
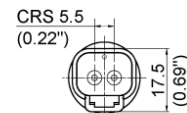
Vibration: 15.3 Grms to BSEN 60068-2-64:1993

Dimensions

Typical body designs



2 WAY PACKARD METRI-PACK
150 SERIES CONNECTOR
T/T103



2 WAY DEUTSCH CONNECTOR
T/T104