

## TECHNICAL DATA

### V/P series vent valves

**FOZMULA**  
INNOVATION IN SENSORS



The series of **V/P** vent valves are fitted to sealed fuel tanks in order to relieve any pressure build up.

The design is a spring loaded plate valve with a flexible seal and integral metal filter screen to prevent the ingress of contaminant materials.

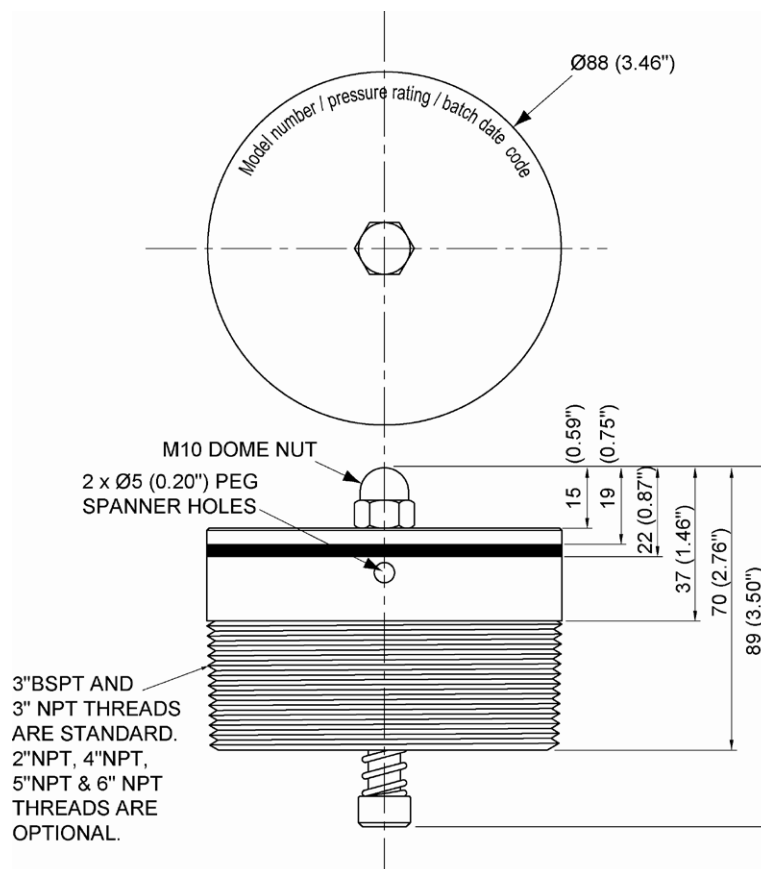
## SPECIFICATION

### Construction

<b>Body:</b>	Zinc plated mild steel
<b>Seal:</b>	Viton
<b>Filter screen</b>	Brass mesh

### Other parameters

<b>Operating pressure:</b>	0.5/2.5psig (factory set)
<b>Operating temperature:</b>	-40°C to +80°C (-40°F to 175°F)
<b>Threads:</b>	See drawing below
<b>Weight (3" BSPT):</b>	0.8 kg



Hermes Close | Tachbrook Park | Warwick | CV34 6UF | United Kingdom  
Tel: +44 (0)1926 466700 | Fax: +44 (0)1926 450473 | sales@fozmula.com

[www.fozmula.com](http://www.fozmula.com)

E. & O. E© Fozmula Limited. May 2008 Issue No. 3

Since the suitability of these products depends upon a wide range of factors not in our control, Fozmula Limited expects and understands that you will conduct the testing and evaluation necessary to determine that these products are suitable for your application. Whilst every effort is made to ensure the above details are correct at the time of printing, Fozmula Limited reserves the right to make material changes, and or technical changes without notification.