

TECHNICAL DATA

S284 Oil Level Switch – Capacitance Type

FOZMULA
INNOVATION IN SENSORS



The **S284** is an active device designed to give an alarm signal if liquid falls below, or rises above, a preset level. It can be specified with a delay to eliminate false alarms due to turbulence.

Containing a factory programmable microprocessor, the switch offers sink to ground or source voltage output. Its small footprint with limited intrusion into the tank means a reduced risk of damage and a wide range of customer specifiable options make it suitable for most applications.

For high accuracy, the S284 should ideally be mounted horizontally at the point where an alarm or control signal is required. However, the switch can be mounted vertically – contact Fozmula with your application requirements.

SPECIFICATION

Liquid types: Mineral oils, typically used in engines or hydraulic actuators, compatible with brass, PTFE and FVMQ.

Electrical rating

Supply voltage: 9-36 VDC.
Supply current: 7 mA + source output.
Max. load current: 1.0 A (sink) or 20 mA (source).
Alarm delay time: 0 to 25 s rising or falling (factory set).
Connection: 4 way Deutsch DT04-4P.
Power up delay: 0 to 10 s (factory set).
Power up state: 'In Liquid' or 'Out of Liquid' (factory set).
Output type: Sink (open collector) and/or Source (supply voltage).
Output pin: Pin 4 (sink) or Pin 3 (source).
Output state: Sink Open / Closed in liquid (factory set).
 Source On / Off in liquid (factory set).

Construction

Body: Brass.
Probe: PTFE.
Terminals: Brass, Gold Plated.
Seals: FVMQ.
Connector: PA66 30% Glass Filled Nylon.

Connections:

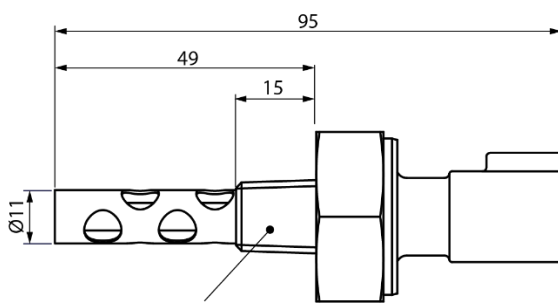
See diagram below.

Environmental Ratings

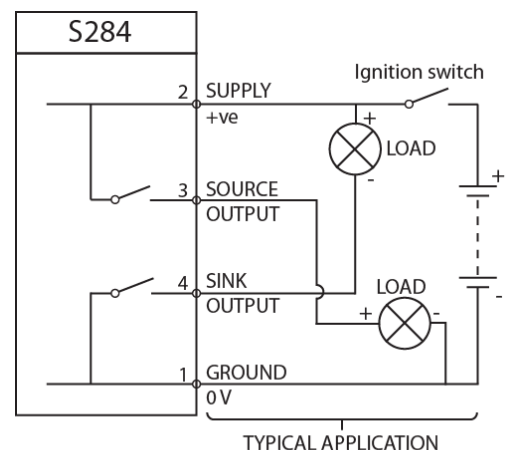
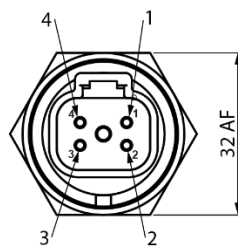
Ingress: IP67 (with mating connector fitted).
Max. pressure: 5.0 Bar (72 psi)
Temp. range: -40 °C to +125 °C
Weight: 70 g typical (dependent on thread size)
EMC: ISO13766:2006

Vibration (15.3 Grms)

3 orthogonal planes for 3 hours per plane
 Testing performed in accordance with BSEN 60068-2-64:1993
Drop: 1 m to concrete surface.



¼" NPTF	M14 x 1.5
⅜" NPTF	M18 x 1.5
½" NPTF	M22 x 1.5
⅜" BSPP	M22 x 2.5
½" BSPP	
½" BSPT	Others on request



NOTE: IF SINK ONLY OUTPUT IS REQUIRED THEN PIN 3 IS NOT USED.

Recommended Installation Tightening Torques:

¼" NPTF	9 Nm	M14x1.5	10 Nm
⅜" NPTF	11 Nm	M18x1.5	15 Nm
½" NPTF	20 Nm	M22x1.5	15 Nm
½" BSPP	15 Nm	M22x2.5	15 Nm
½" BSPT	20 Nm		

Optional accessories

C/K13: 4 way Deutsch DT06-4S mating connector kit to suit harness wire cross sectional area of 0.5 to 1.5 mm² (16-20 AWG).

Hermes Close | Tachbrook Park | Warwick | CV34 6UF | United Kingdom
 Tel: +44 (0)1926 466700 | Fax: +44 (0)1926 450473 | sales@fozmula.com

www.fozmula.com